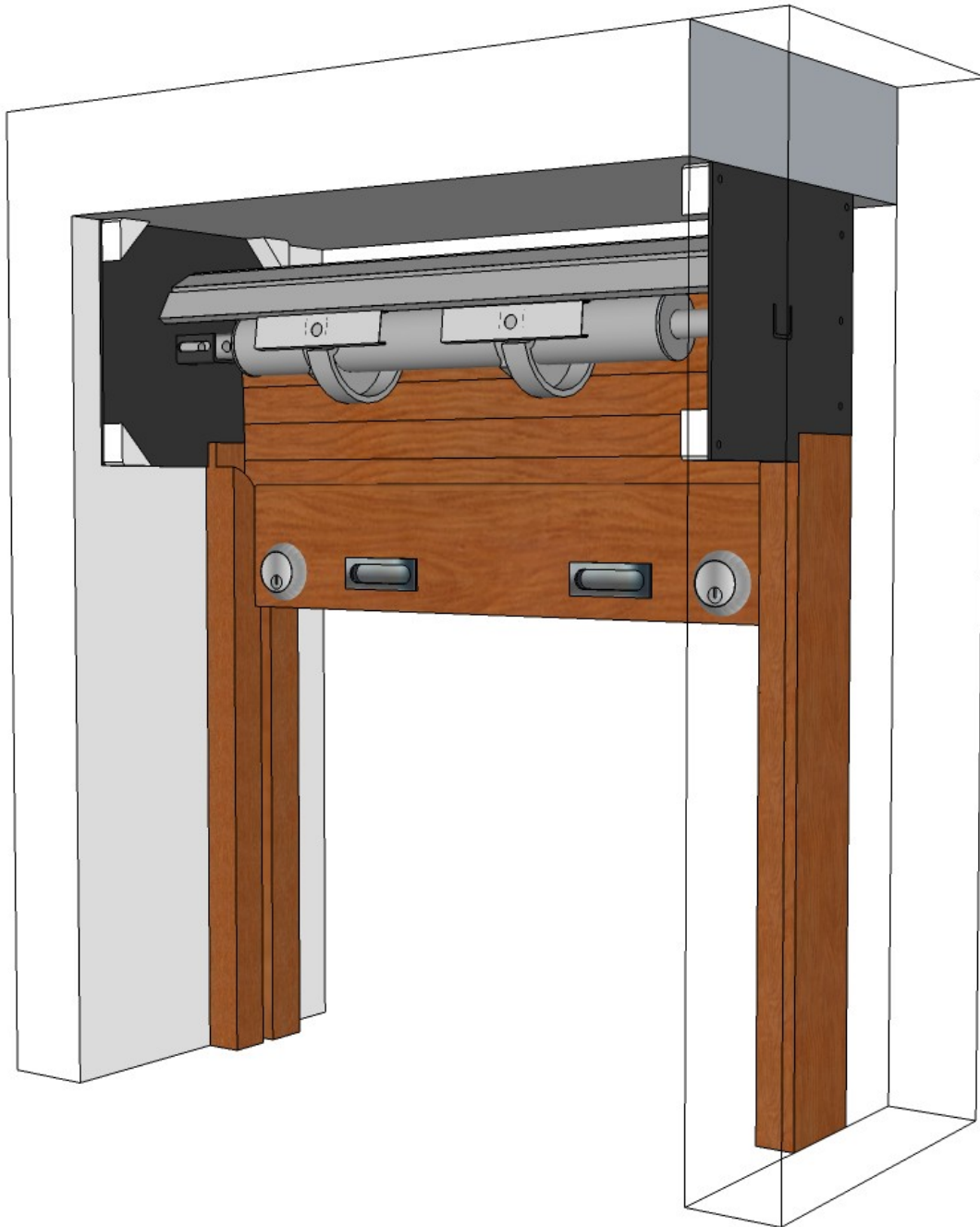


# Inside Mount Under Lintel Manual push up Operation

View from Coil Side

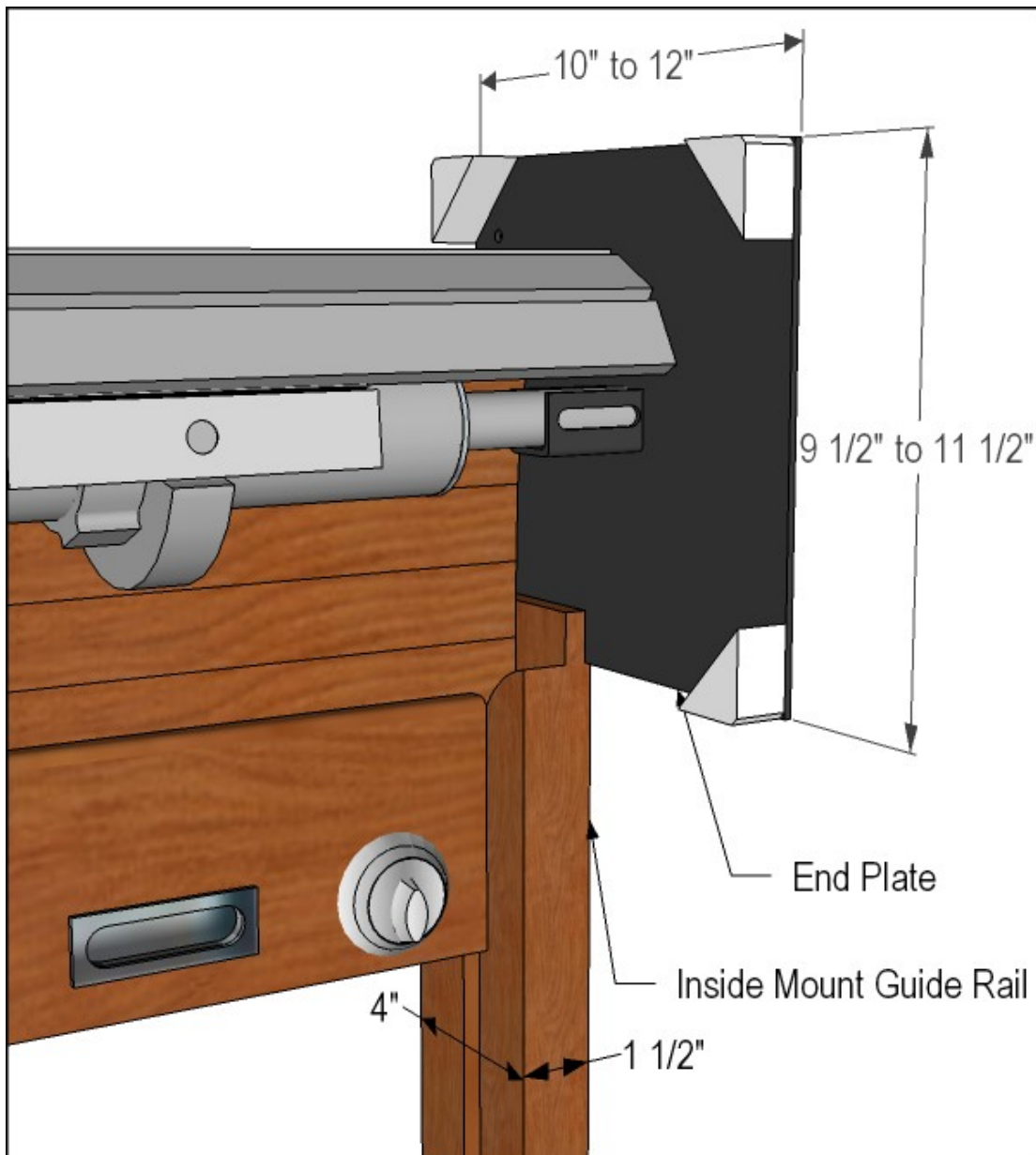


Shown without Hood or Fascia option  
Shown with Keylock option

# Inside Mount Under Lintel

## Manual push up Operation - Details

View from Coil Side



Shown without Hood or Fascia option  
Shown with Thumb Turn option

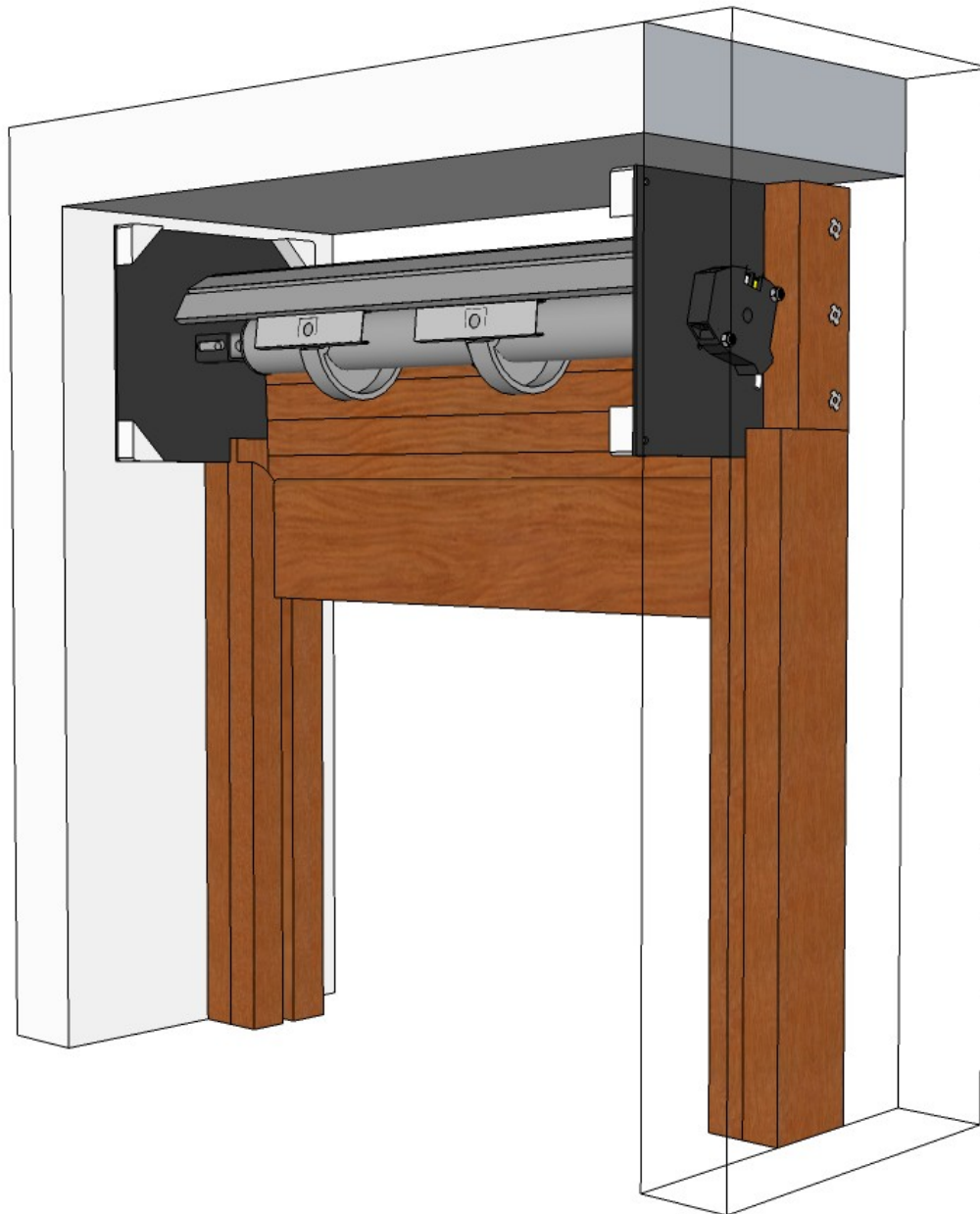
*Woodfold*  
*Roll-Up*  
*Doors*

# Inside Mount Under Lintel

## Motorized Operation



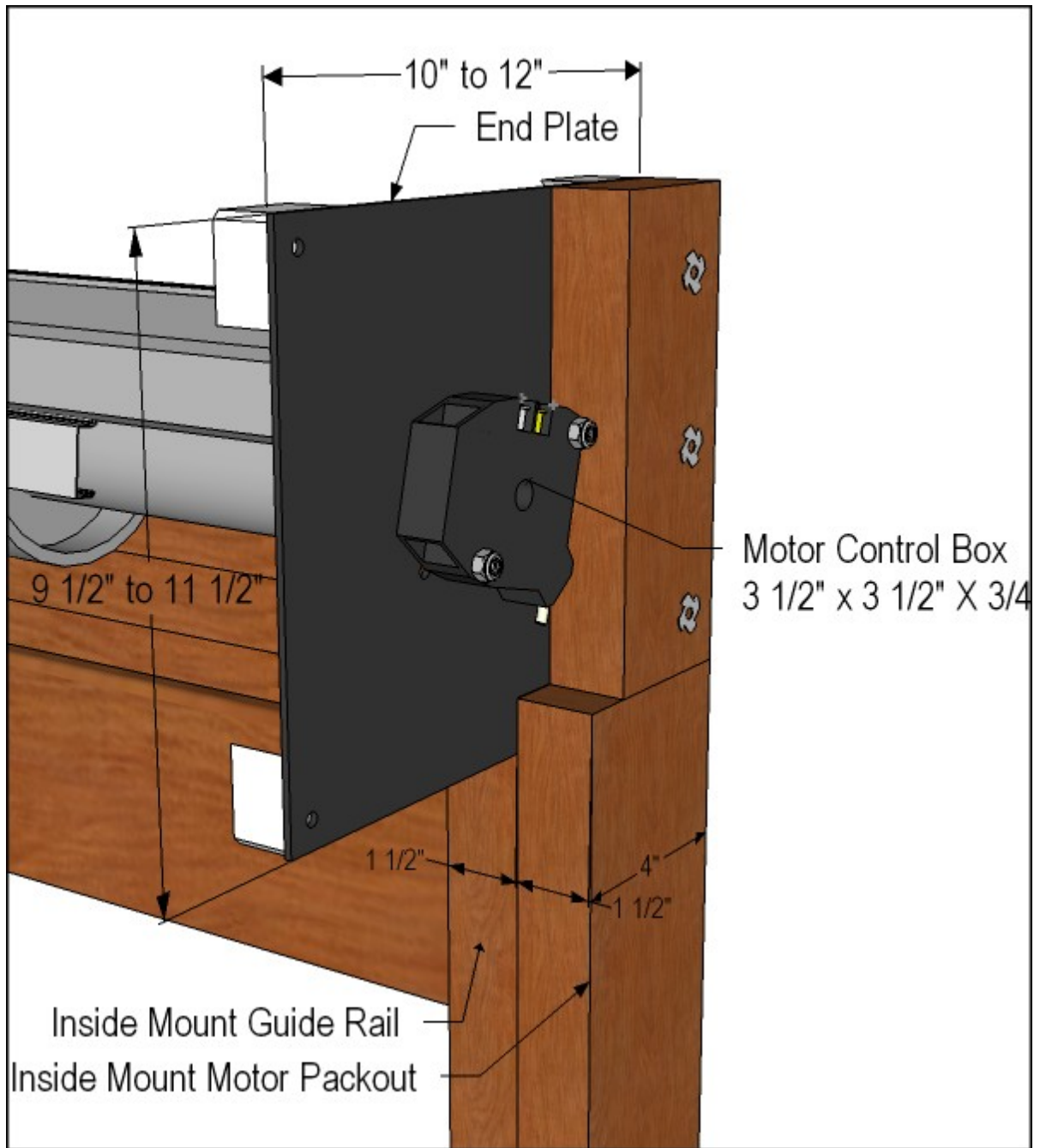
View from Coil Side



Shown without Hood or Fascia option

# Inside Mount Under Lintel Motorized Operation - Details

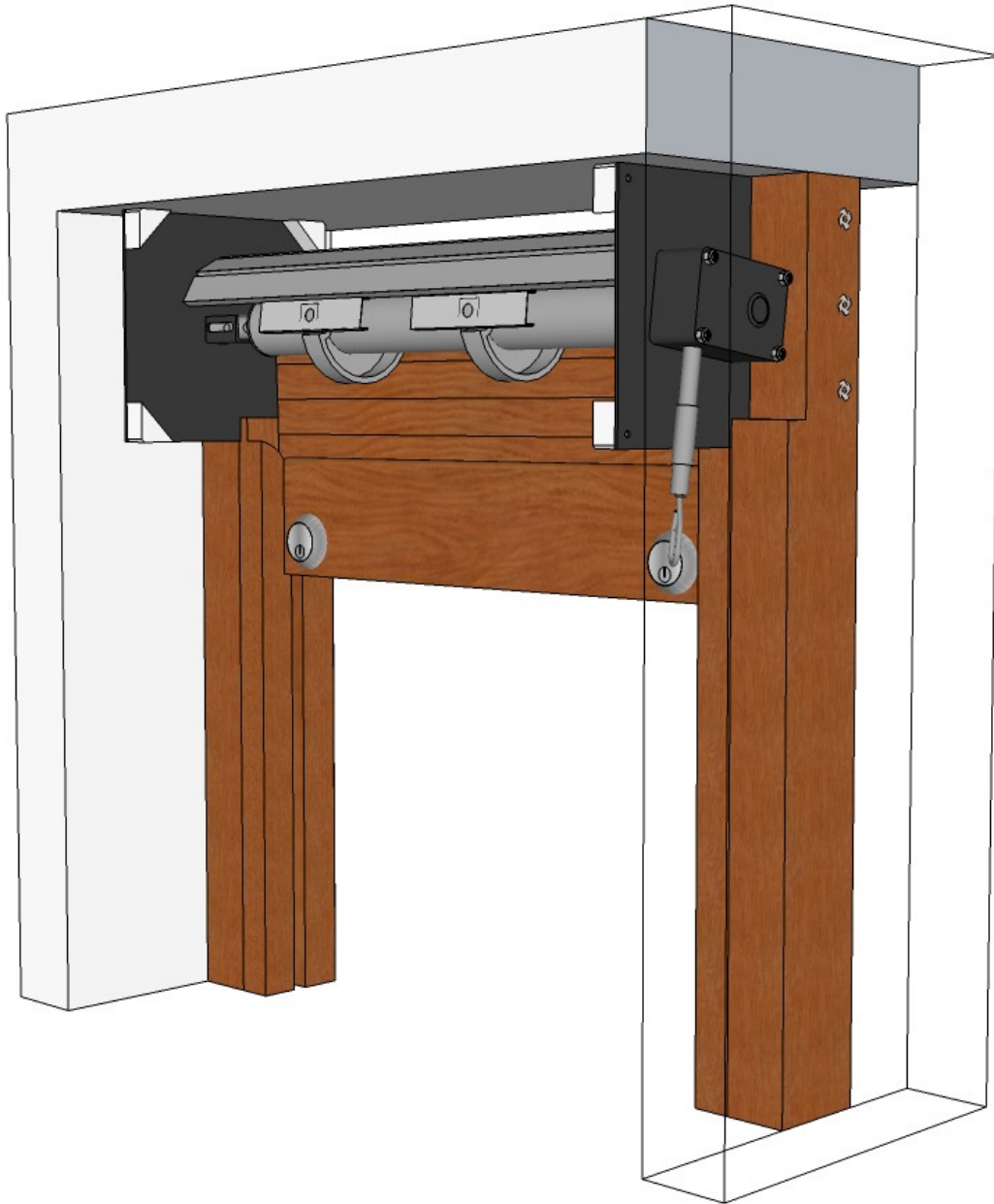
View from Coil Side



Shown without Hood or Fascia option

# Inside Mount Under Lintel Hand Crank Operation

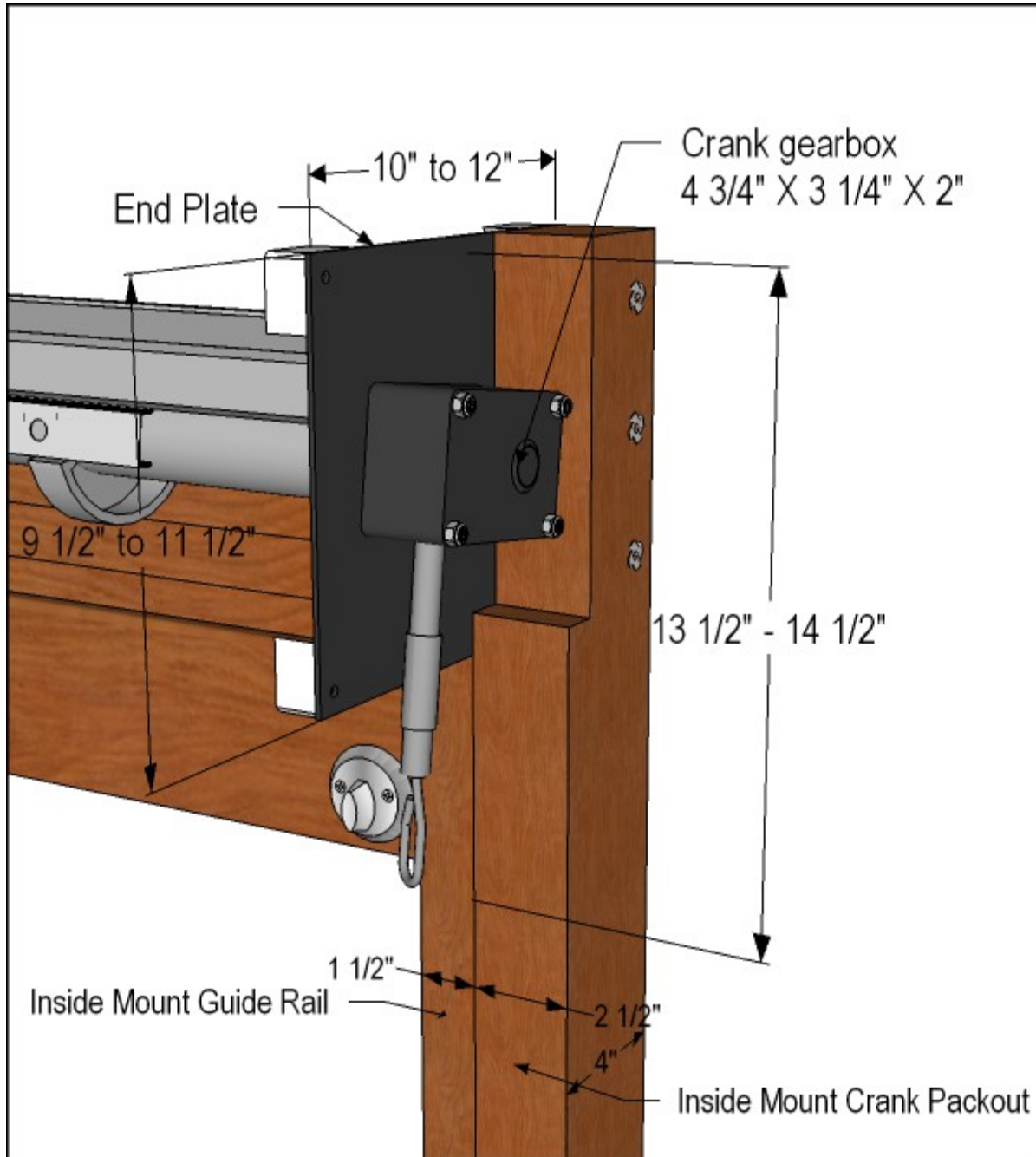
View from Coil Side



Shown without Hood or Fascia option  
Shown with Keylock option

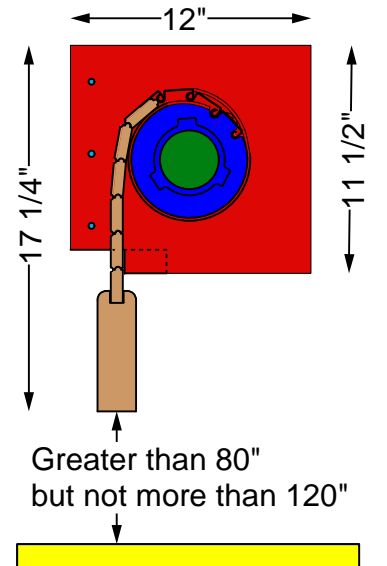
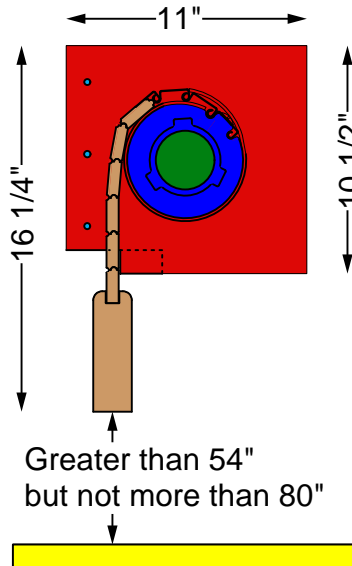
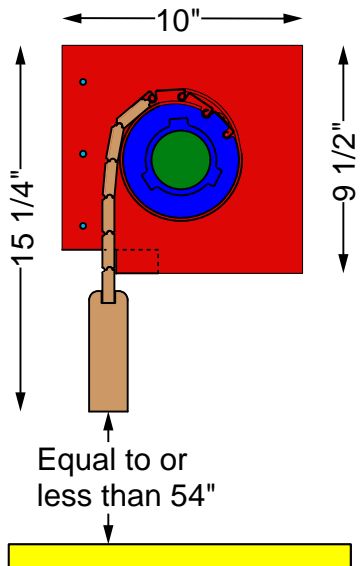
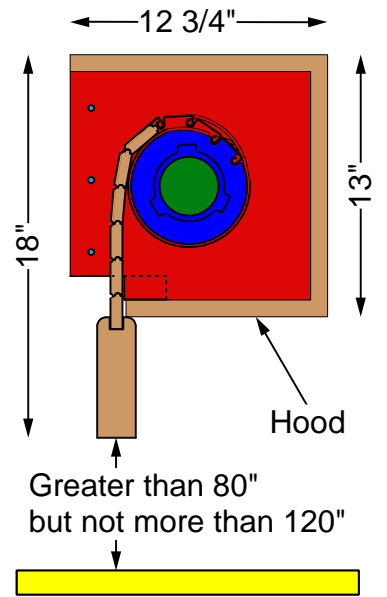
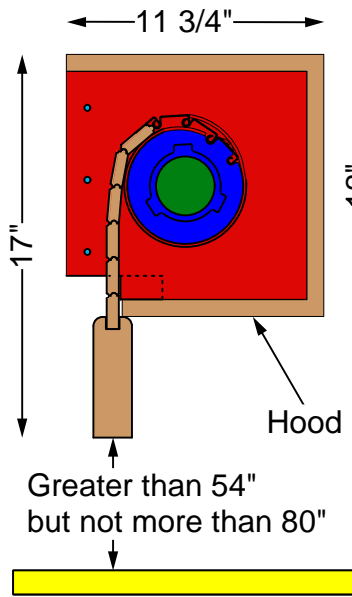
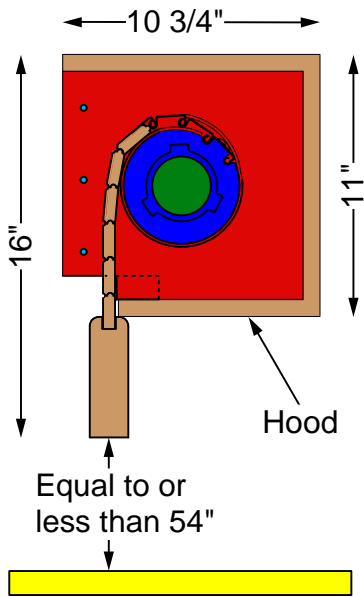
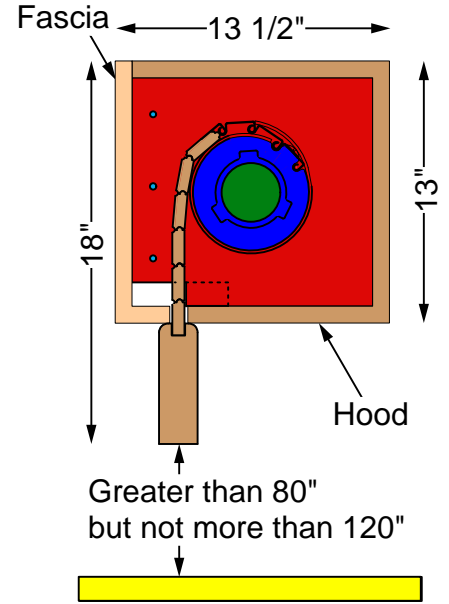
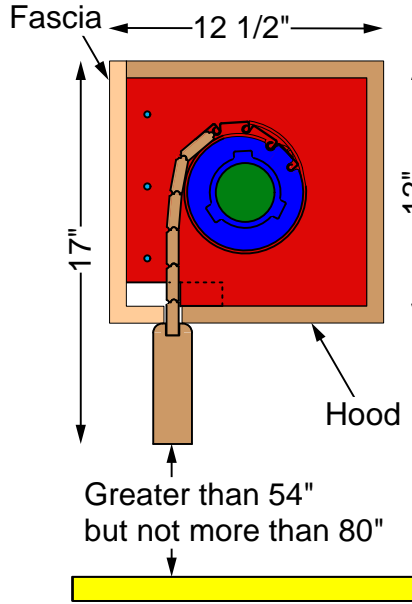
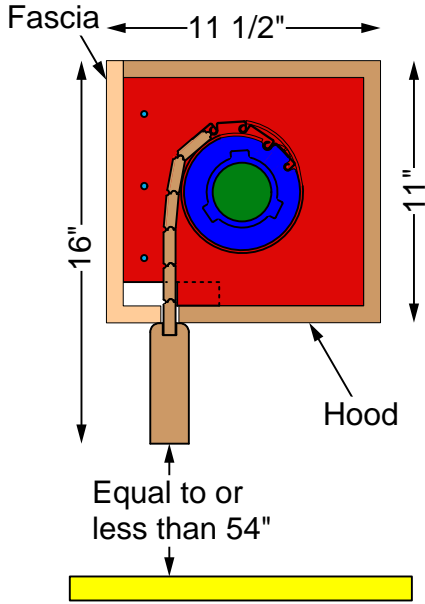
# Inside Mount Under Lintel Hand Crank Operation - Details

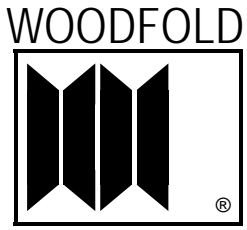
View from Coil Side



Shown without Hood or Fascia option  
Shown with Thumb Turn option

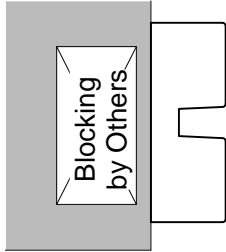
# End Plate size details





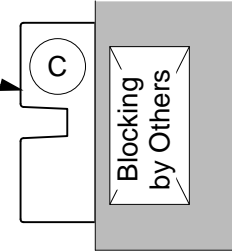
# Inside Mount Under Lintel

Top View

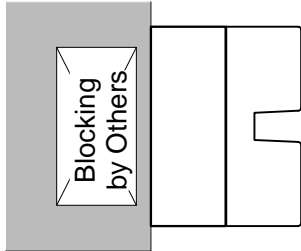


Manual push up  
Operation

Guide Rail  
(by Woodfold)



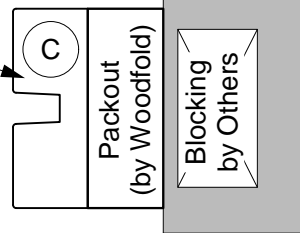
Top View



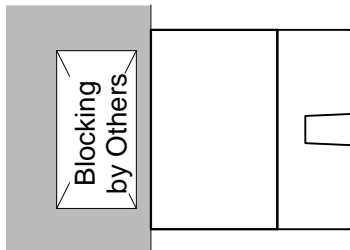
Motorized  
Operation

Guide Rail  
(by Woodfold)

3"



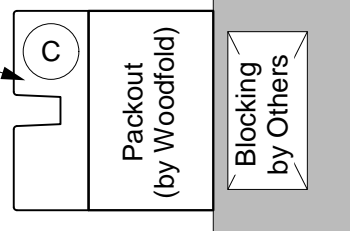
Top View



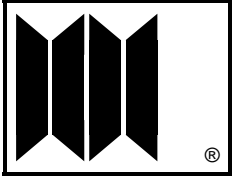
Hand Crank  
Operation

Guide Rail  
(by Woodfold)

4"







# Inside Mount Under Lintel

