

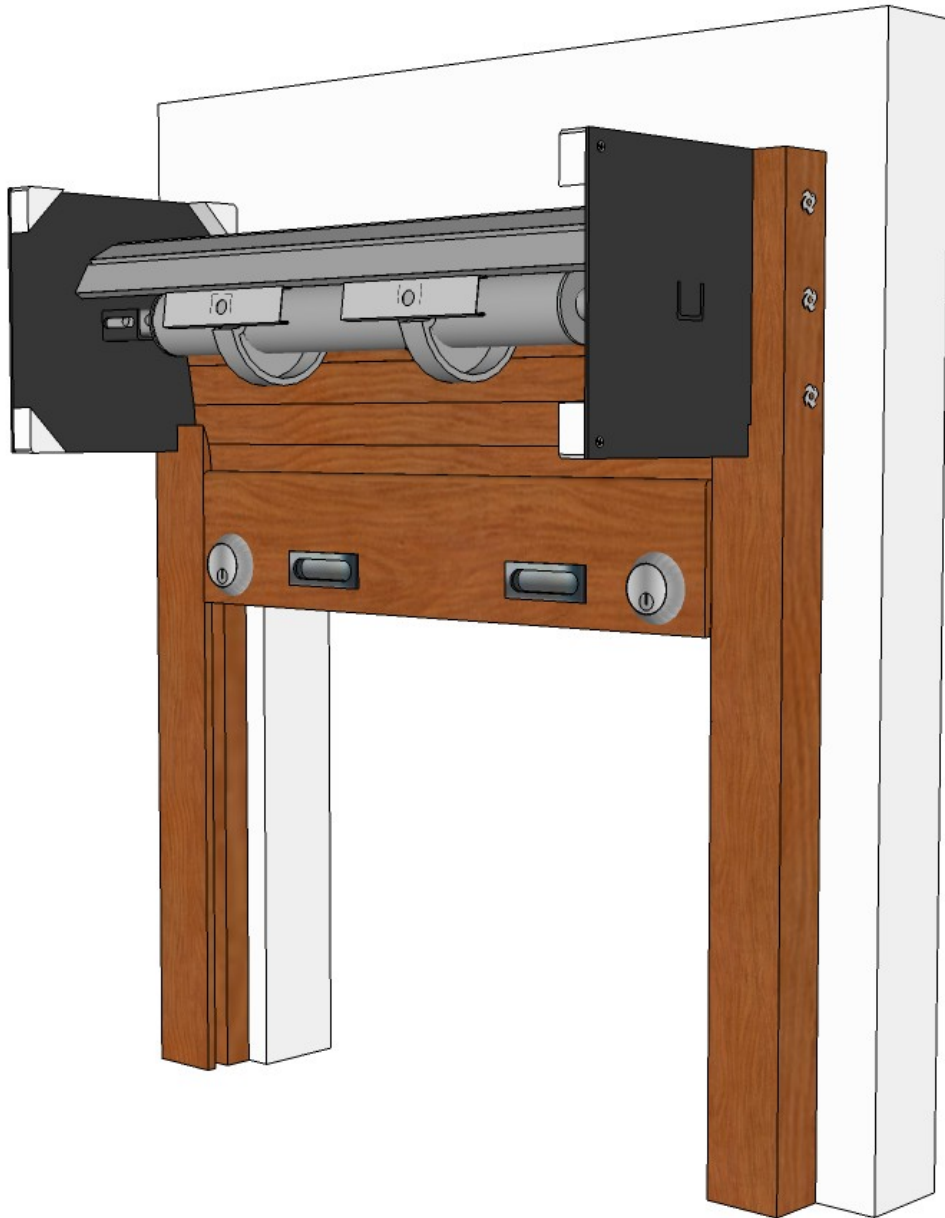
*Woodfold*  
*Roll-Up*  
*Doors*

# Outside Mount on Face of Wall

## Manual push up Operation



View from Coil Side

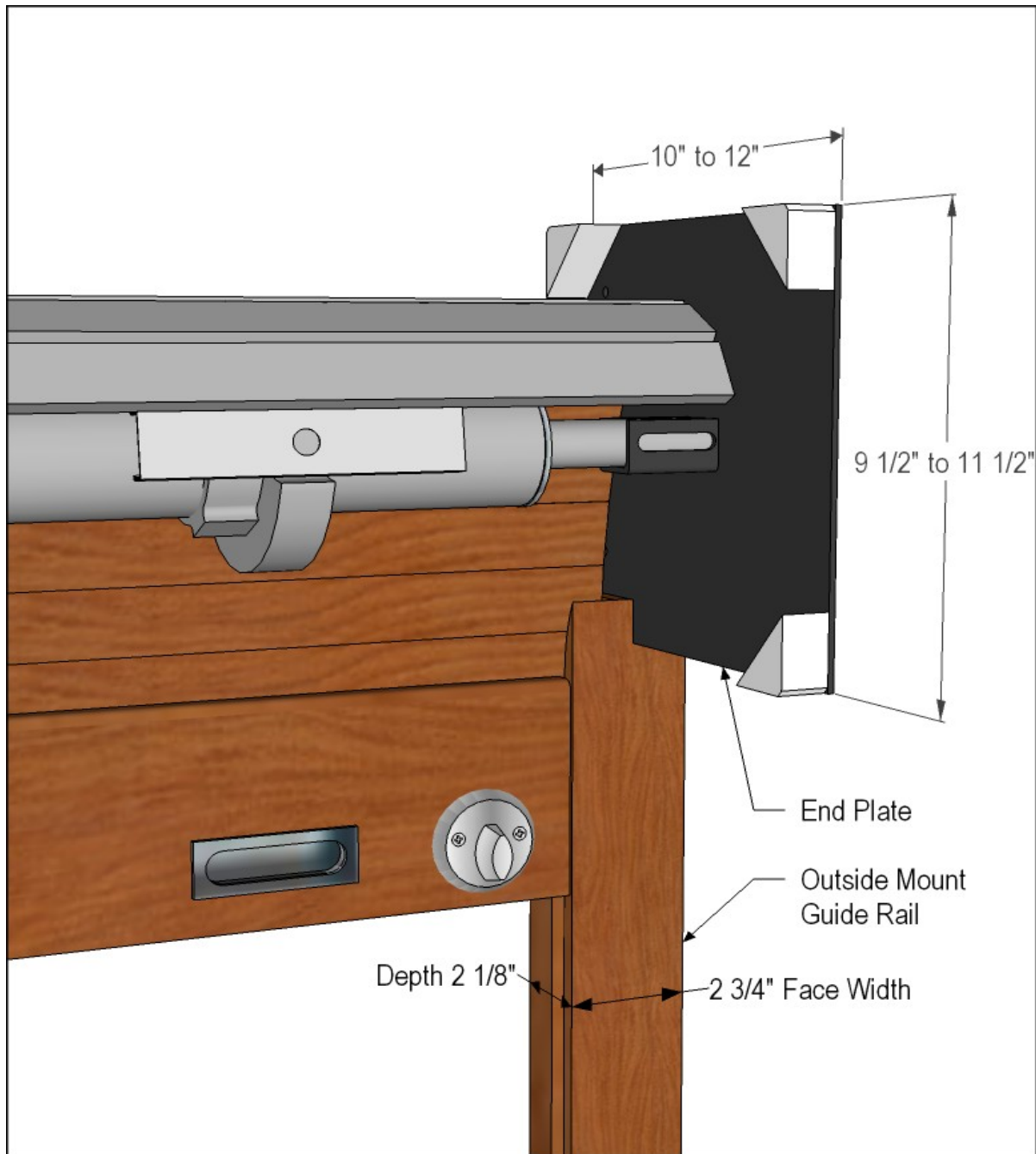


Shown without Hood option  
Shown with Keylock option

# Outside Mount on Face of Wall

## Manual push up Operation - Details

View from Coil Side



Shown without Hood option  
Shown with Thumb Turn option

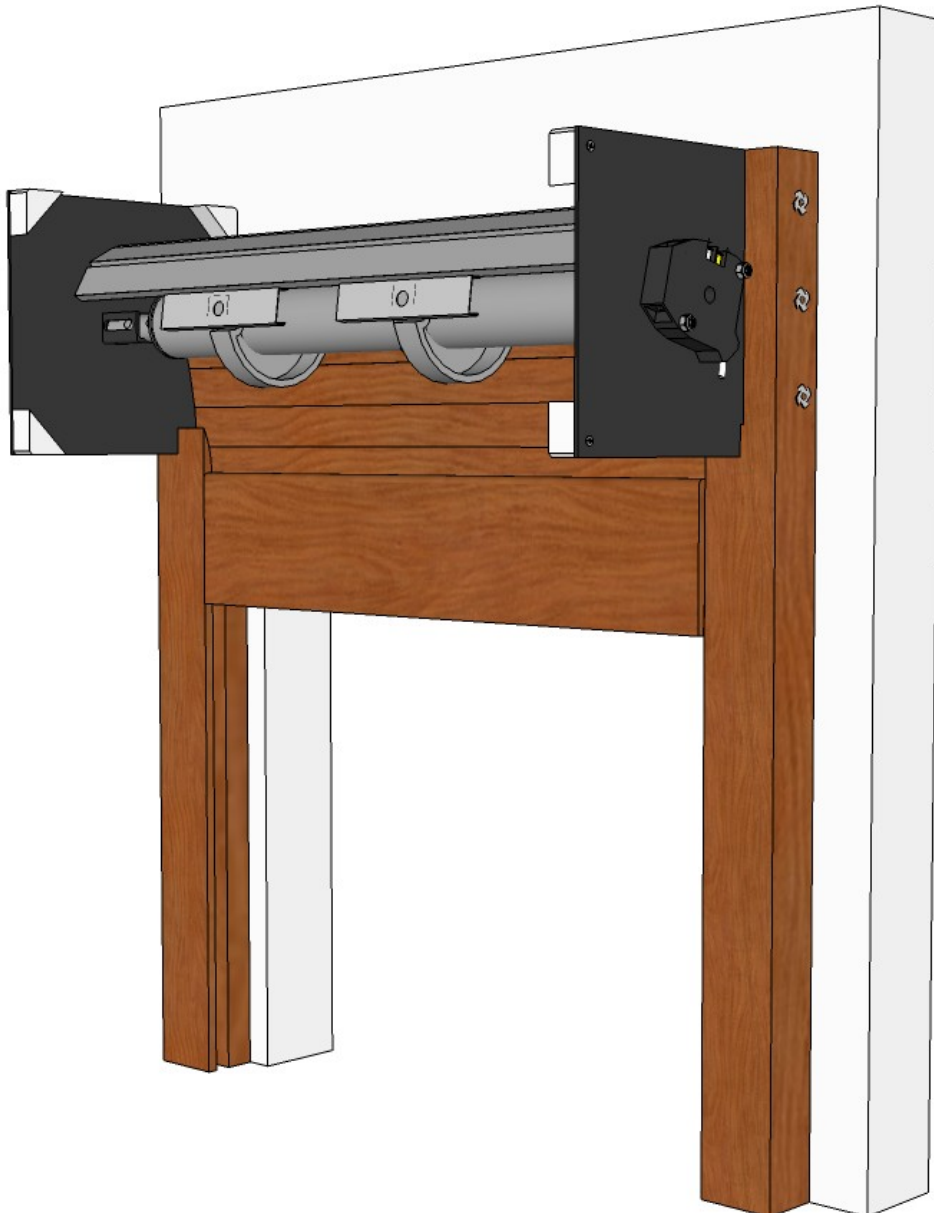
*Woodfold  
Roll-Up  
Doors*

# Outside Mount on Face of Wall

## Motorized Operation



View from Coil Side

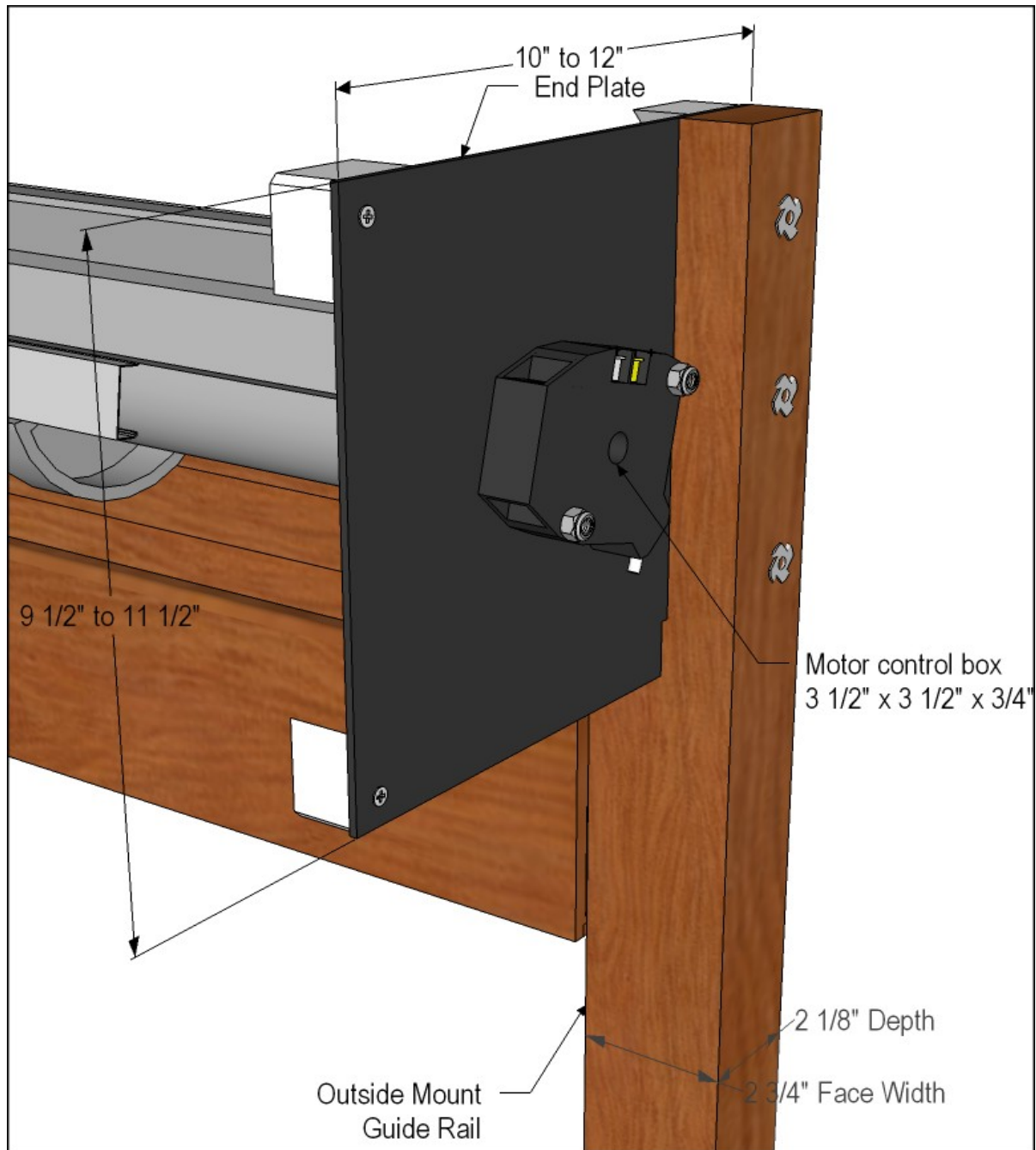


Shown without Hood option

# Outside Mount on Face of Wall

## Motorized Operation - Details

View from Coil Side



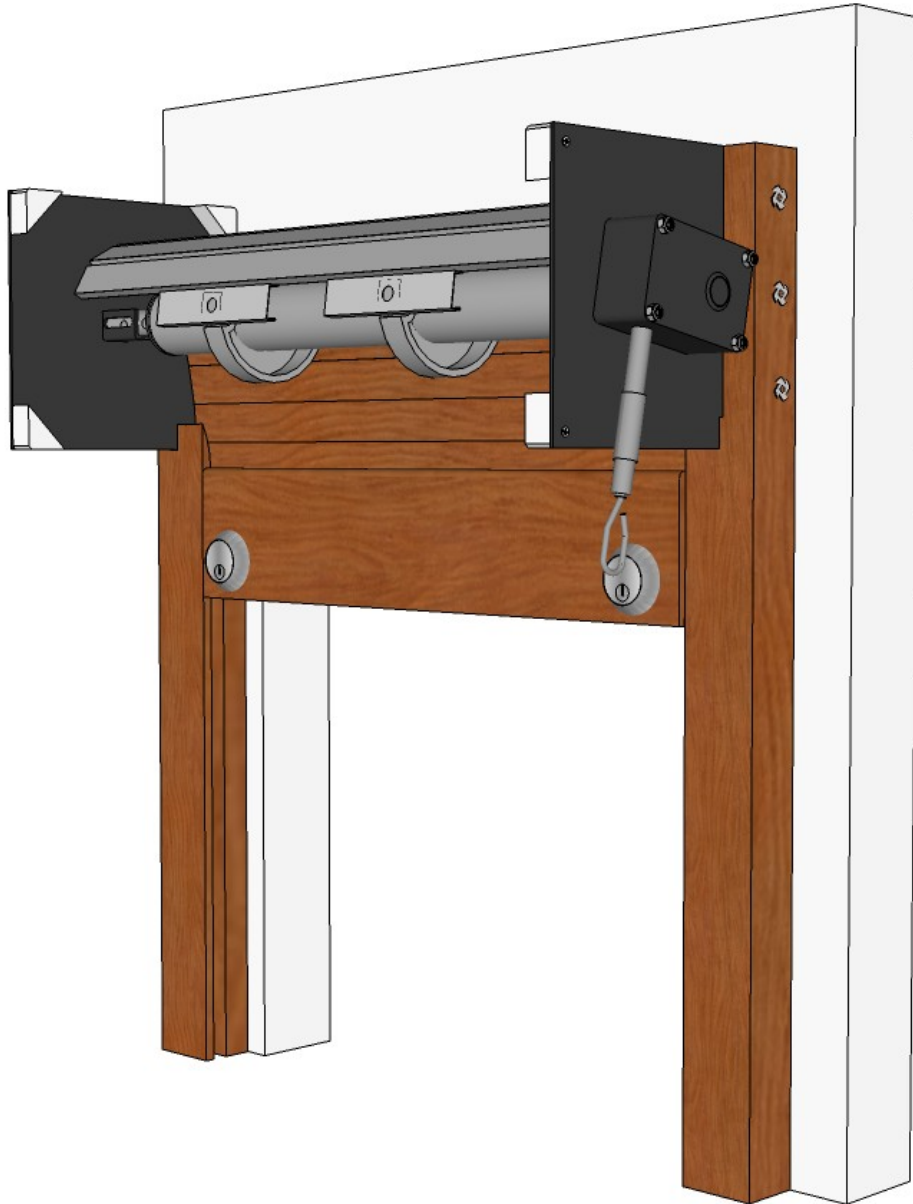
Shown without Hood option

*Woodfold  
Roll-Up  
Doors*

# Outside Mount on Face of Wall Hand Crank Operation



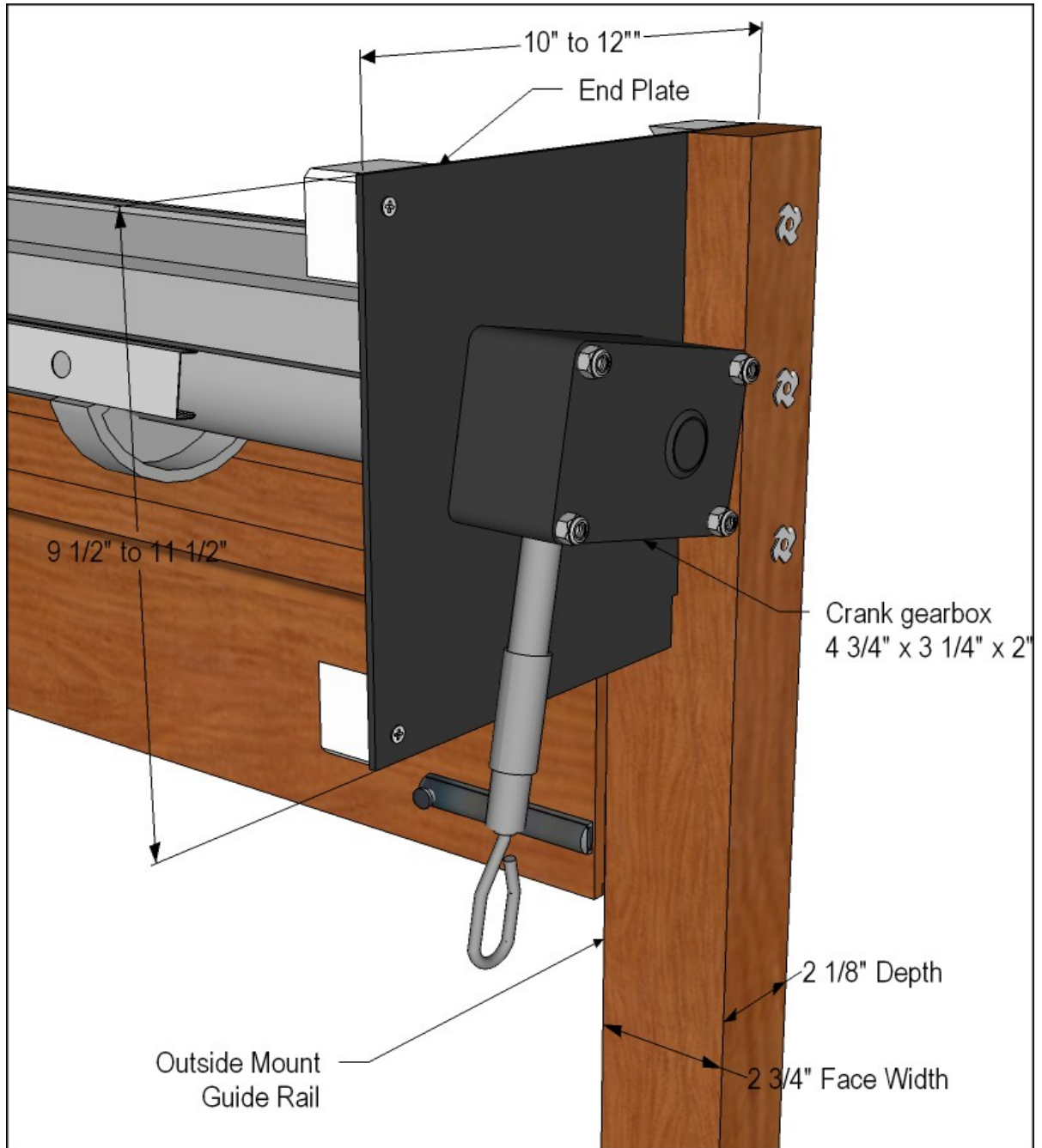
View from Coil Side



Shown without Hood option  
Shown with Keylock option

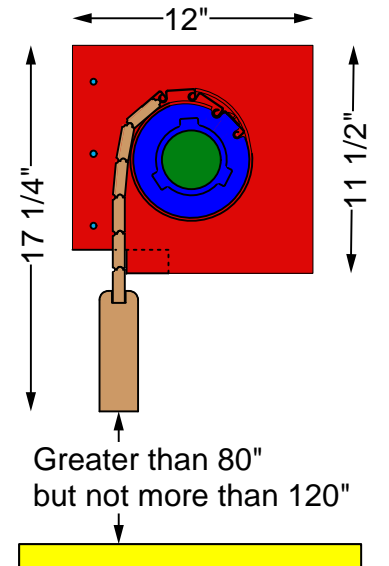
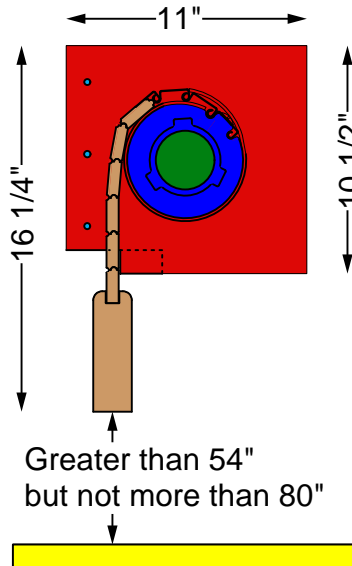
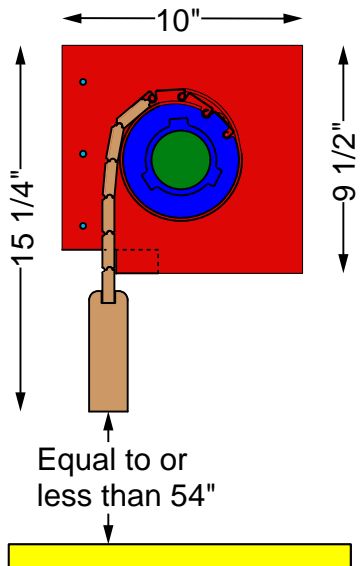
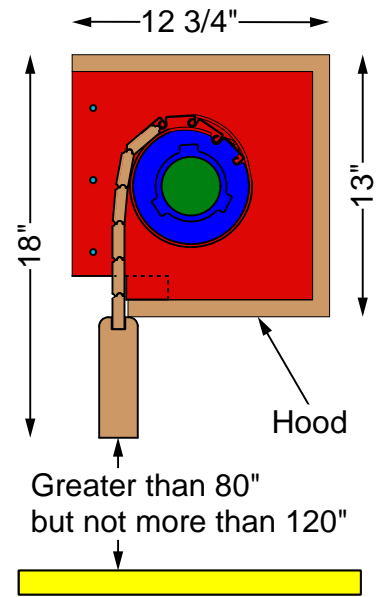
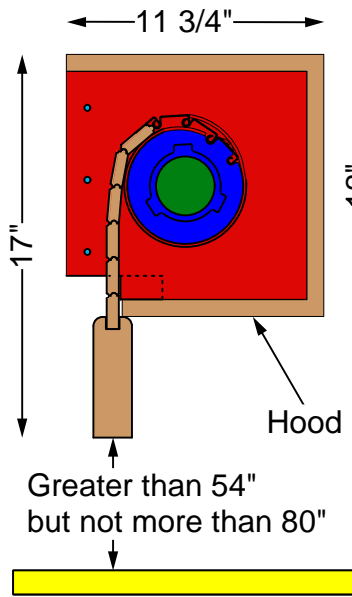
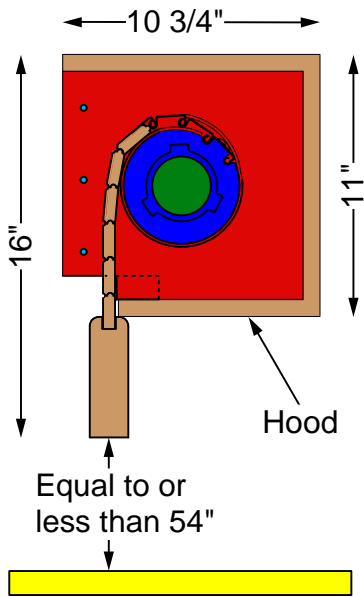
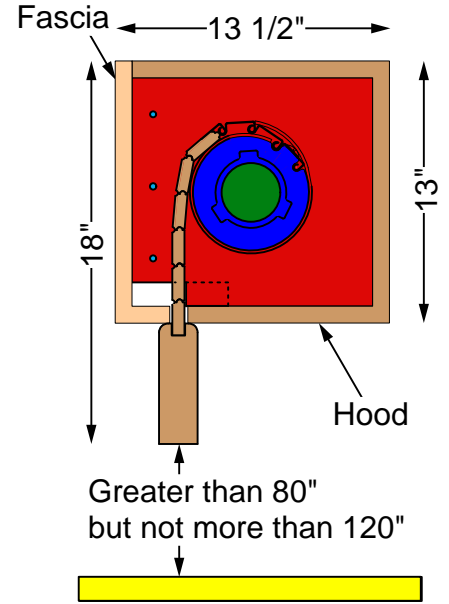
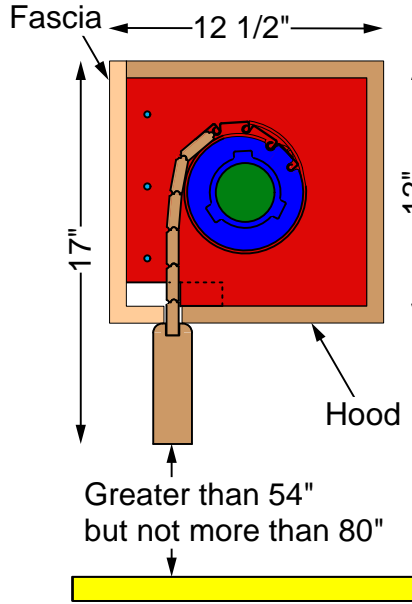
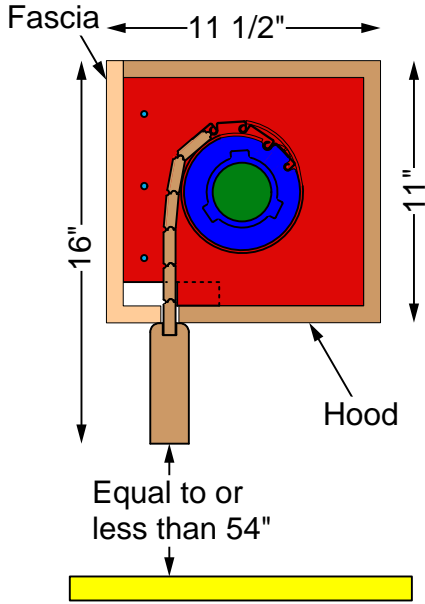
# Outside Mount on Face of Wall Hand Crank Operation - Details

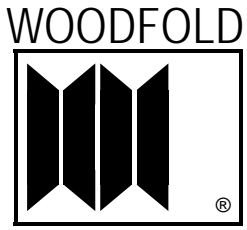
View from Coil Side



Shown without Hood option  
Shown with Slide Bolt option

# End Plate size details

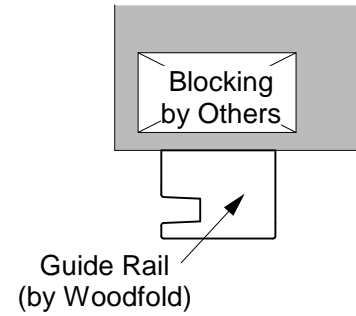
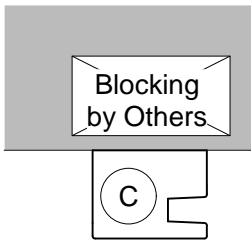




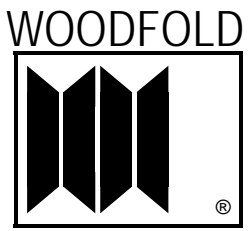
# Outside Mount on Face of Wall

## Manual push up, Motorized and Hand Crank Operation

Top View







# Outside Mount on Face of Wall

