

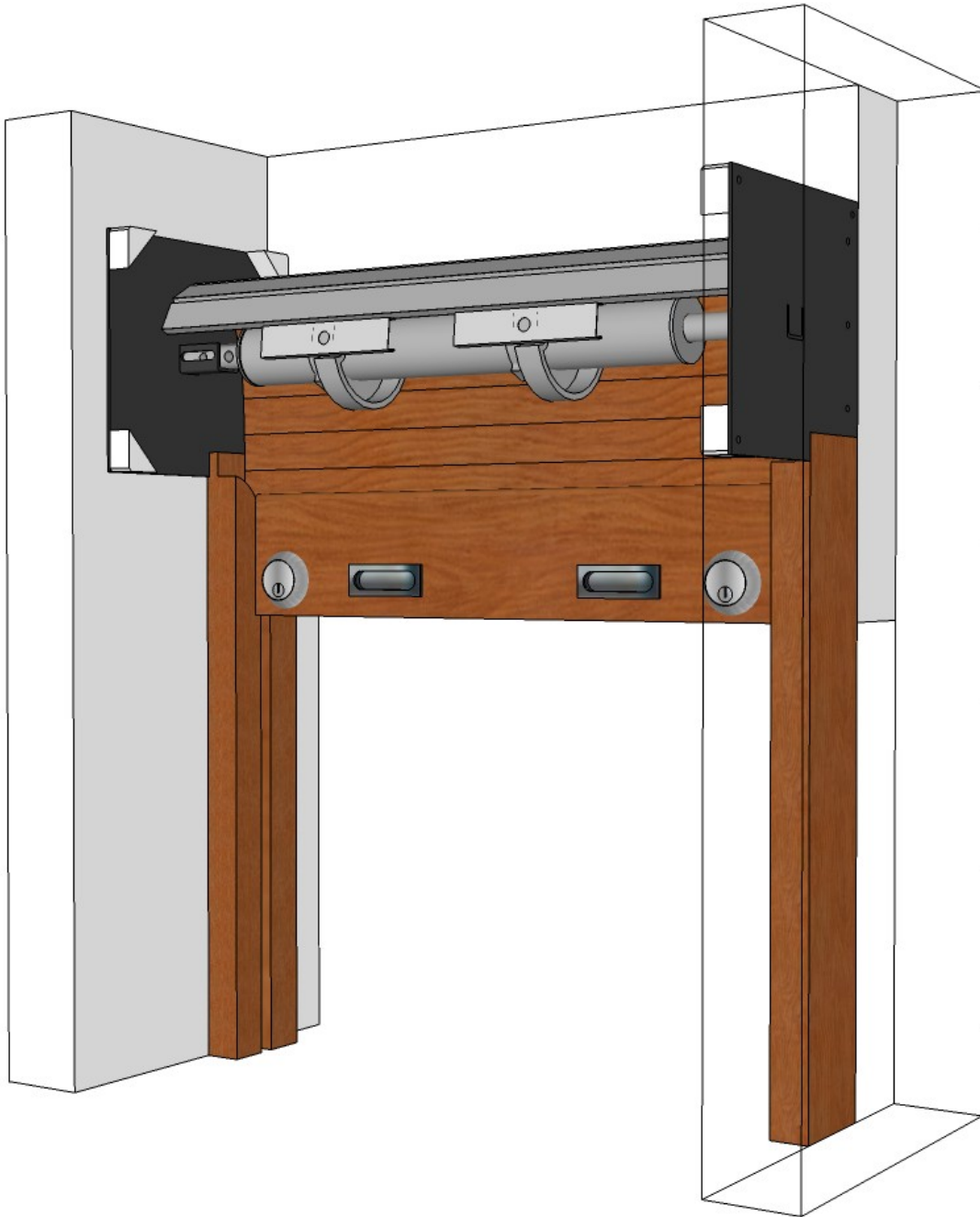
*Woodfold  
Roll-Up  
Doors*

# Between Wall on face of Lintel Manual push up Operation



woodfold.com

View from Coil Side

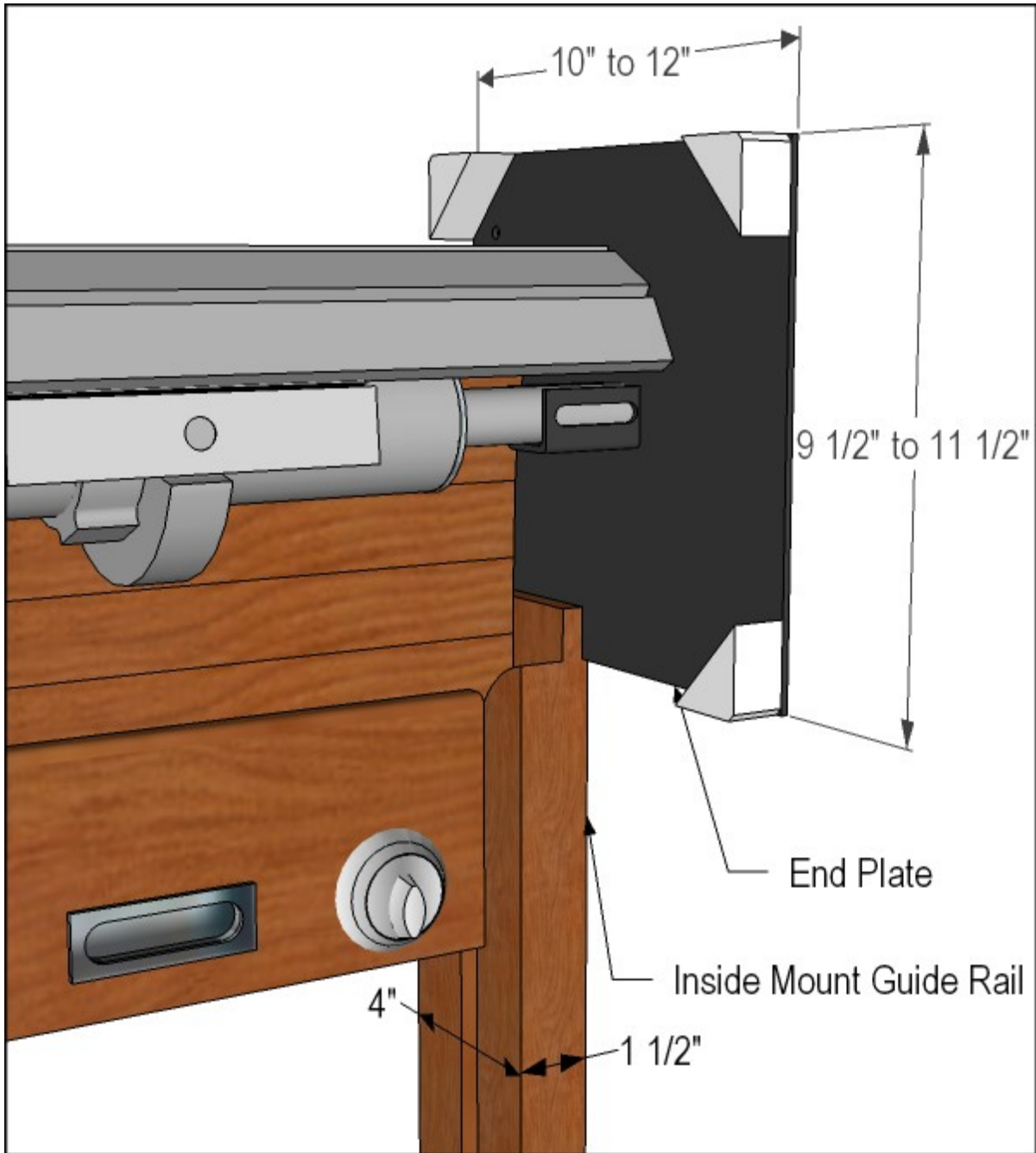


Shown without Hood option  
Shown with Keylock option

# Between Wall on face of Lintel

## Manual push up Operation - Details

View from Coil Side



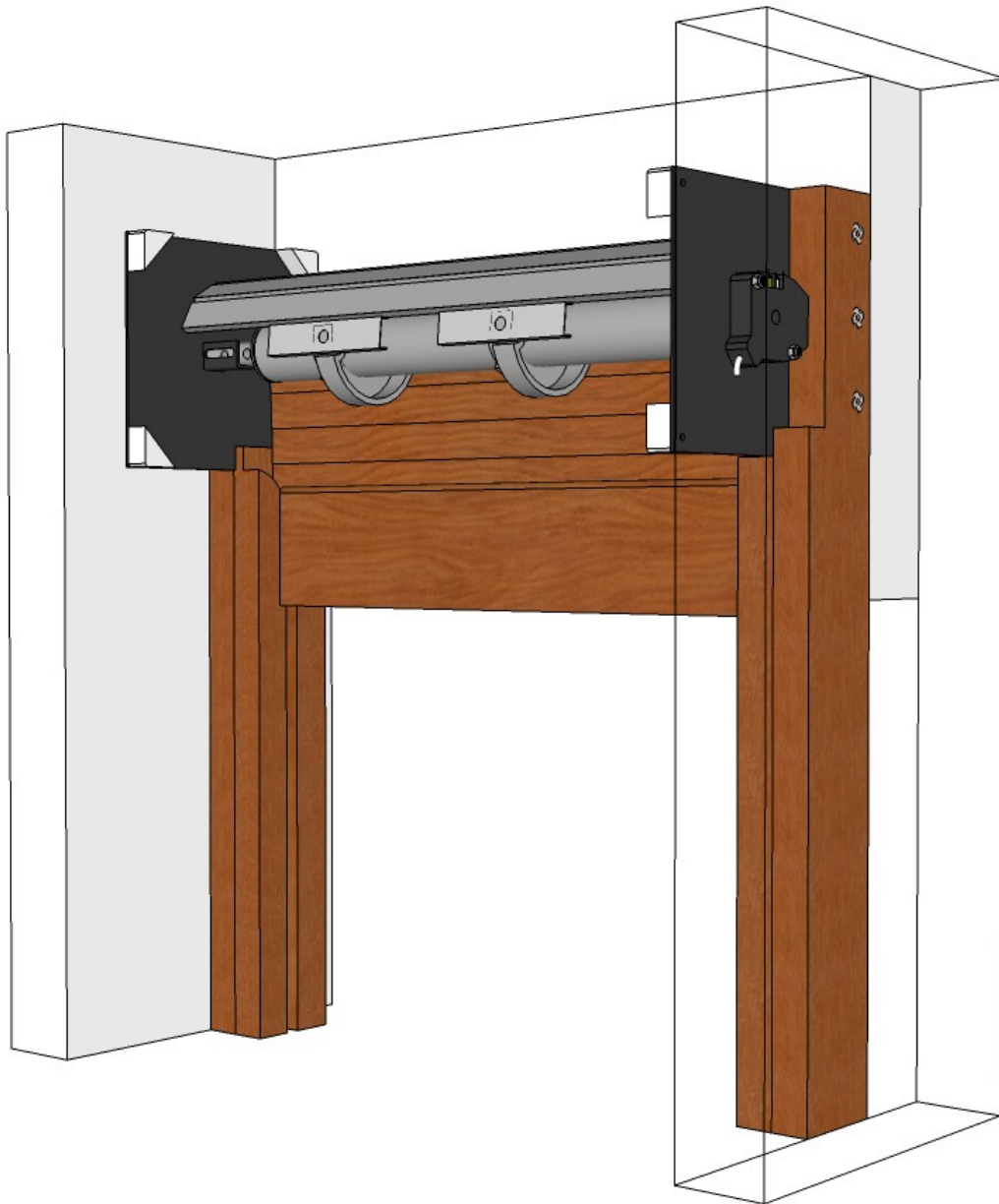
Shown without Hood option  
Shown with Thumb Turn option

*Woodfold  
Roll-Up  
Doors*

# Between Wall on face of Lintel Motorized Operation



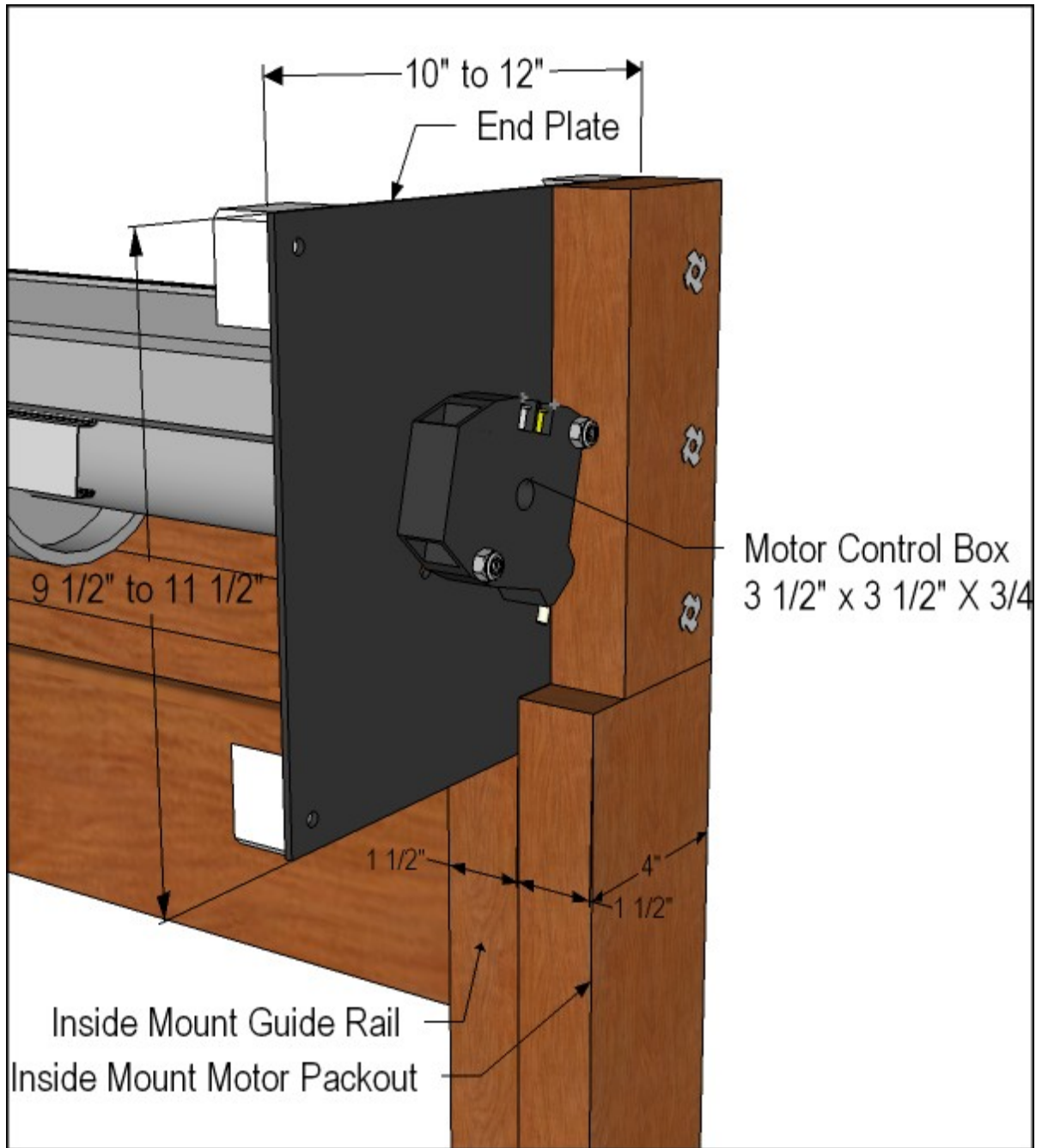
View from Coil Side



Shown without Hood option

# Between Wall on face of Lintel Motorized Operation - Details

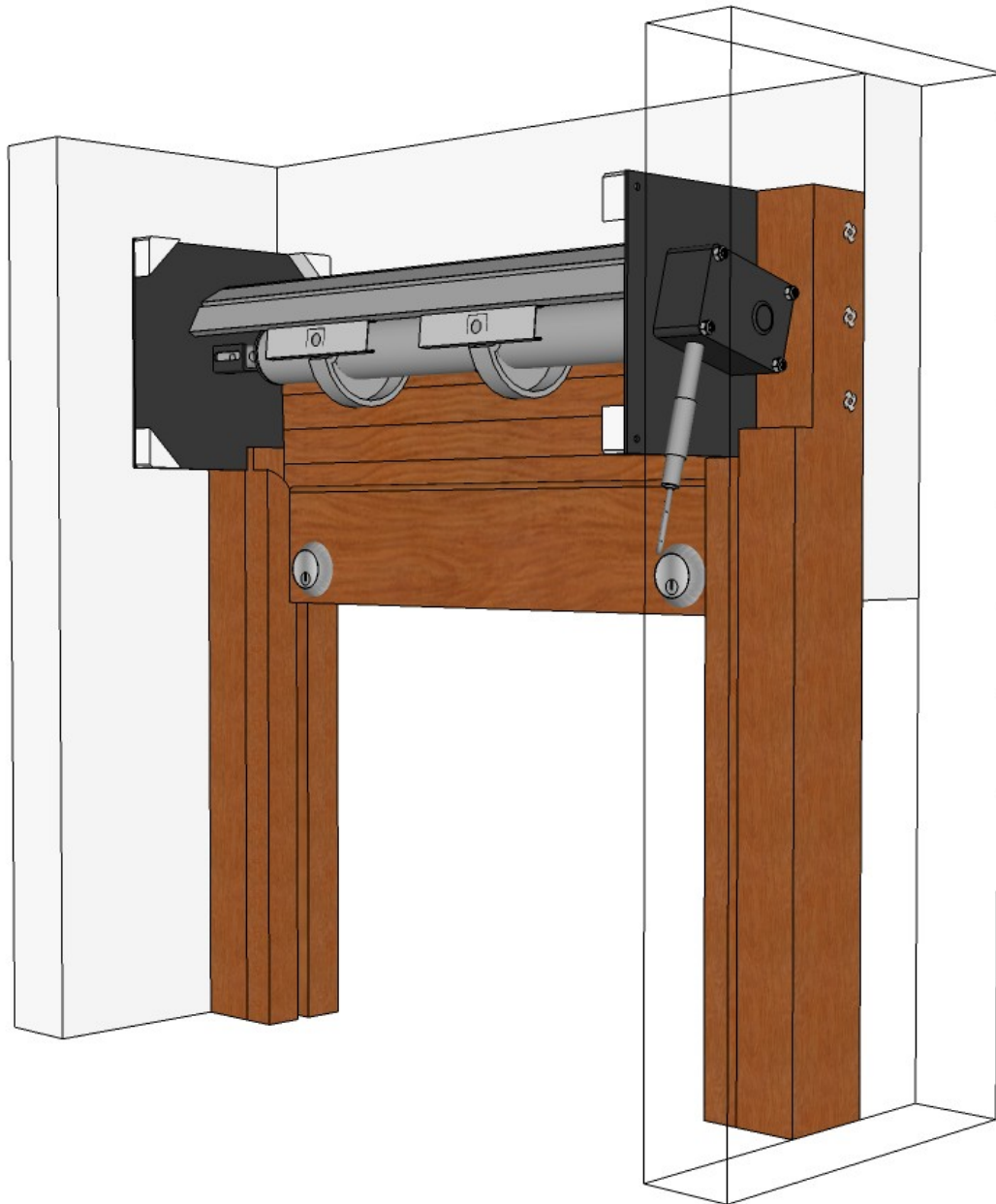
View from Coil Side



Shown without Hood option

# Between Wall on face of Lintel Hand Crank Operation

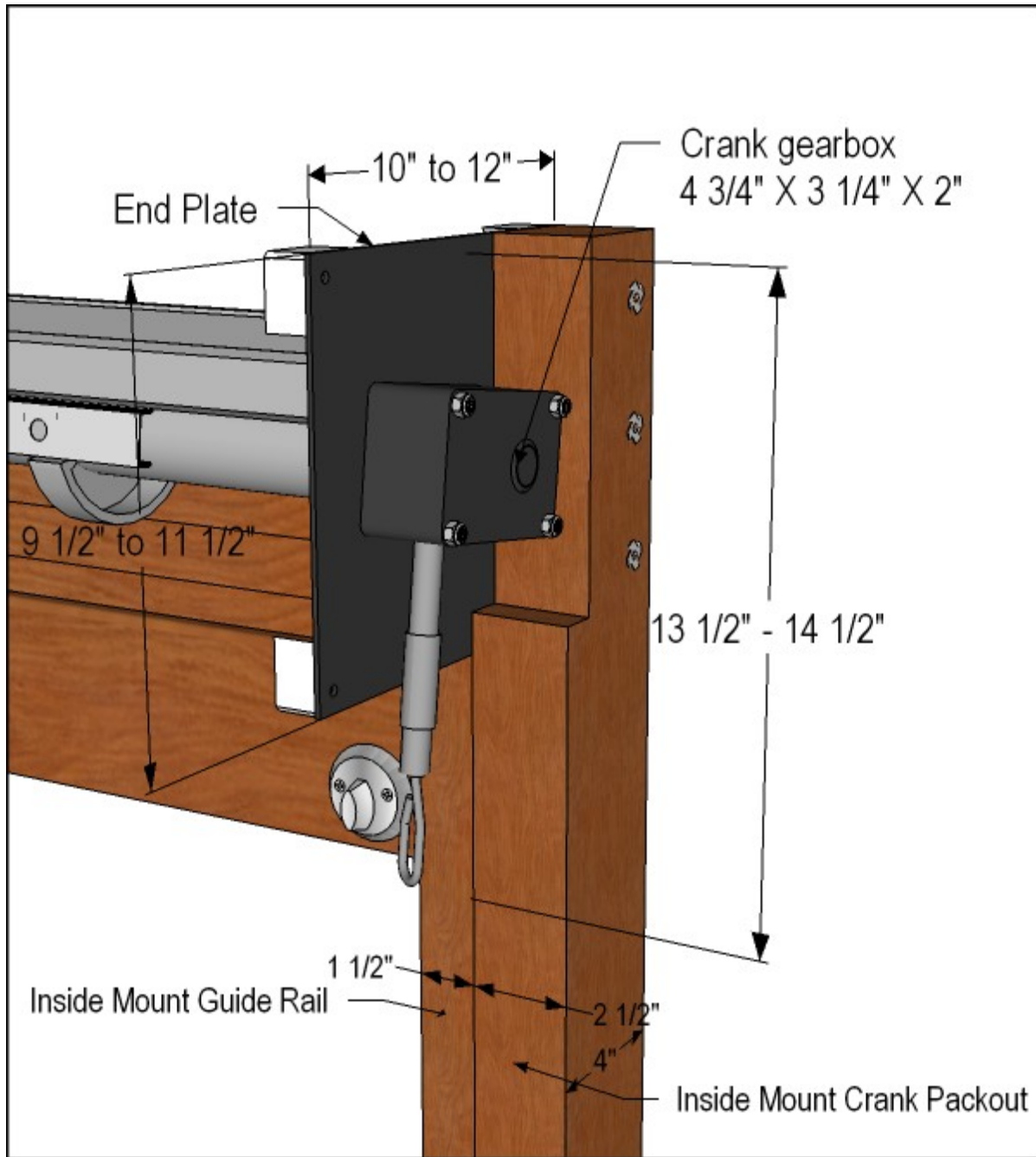
View from Coil Side



Shown without Hood option  
Shown with Keylock option

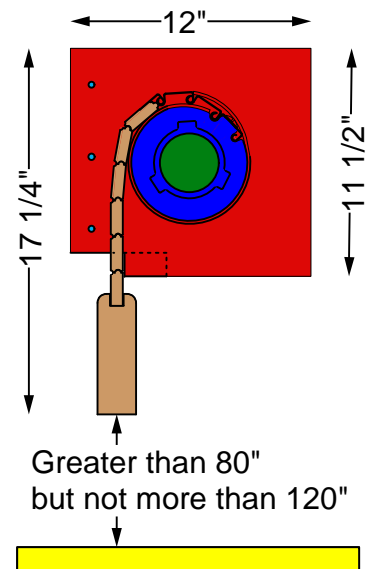
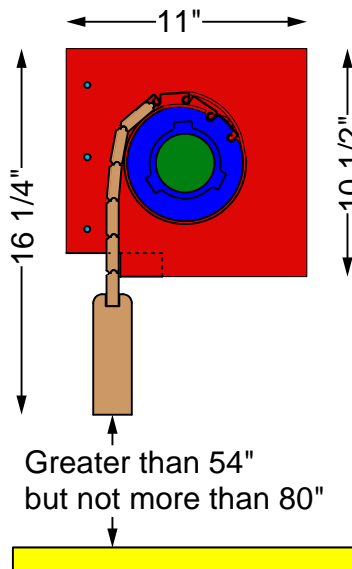
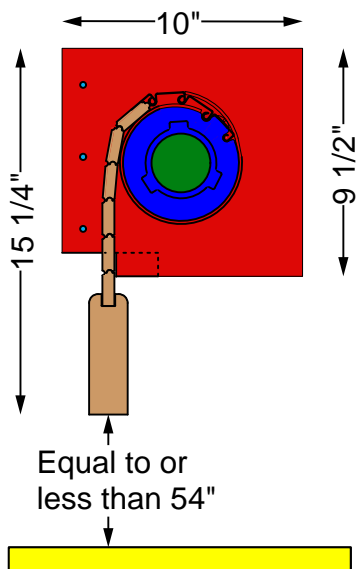
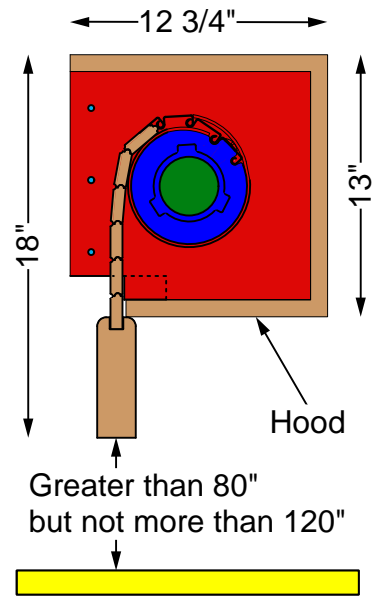
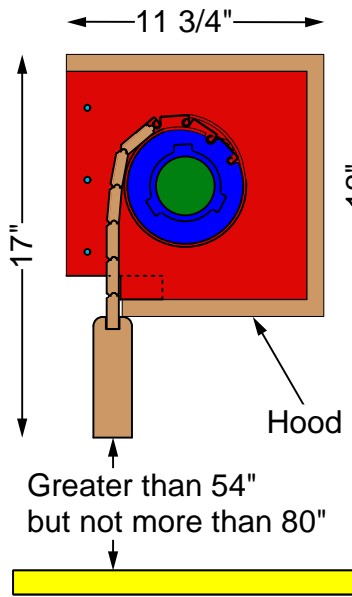
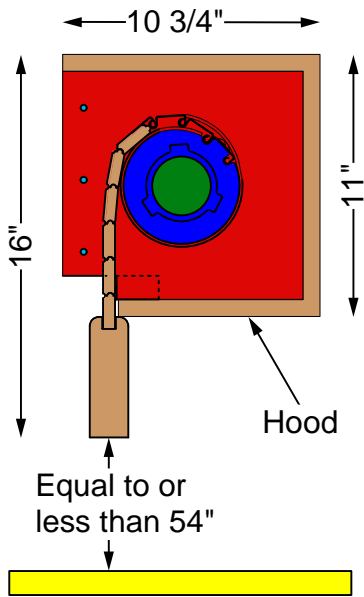
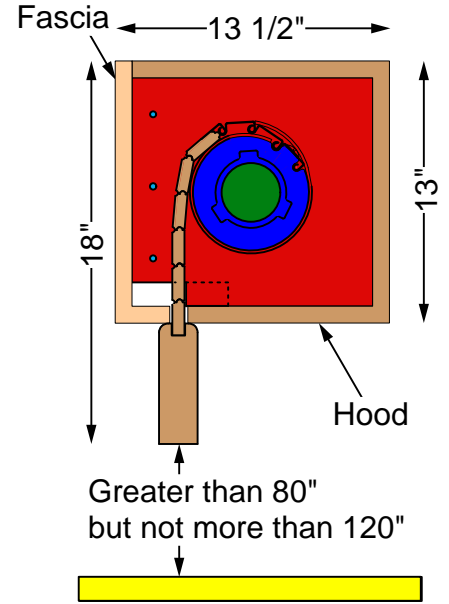
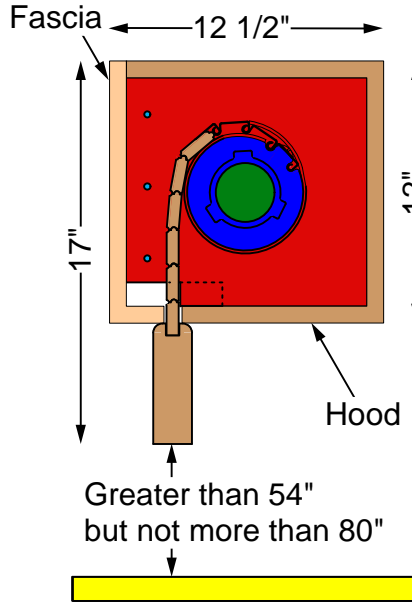
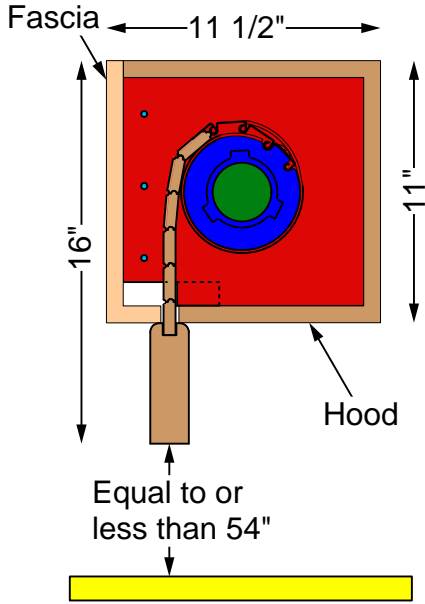
# Between Wall on face of Lintel Hand Crank Operation - Details

View from Coil Side



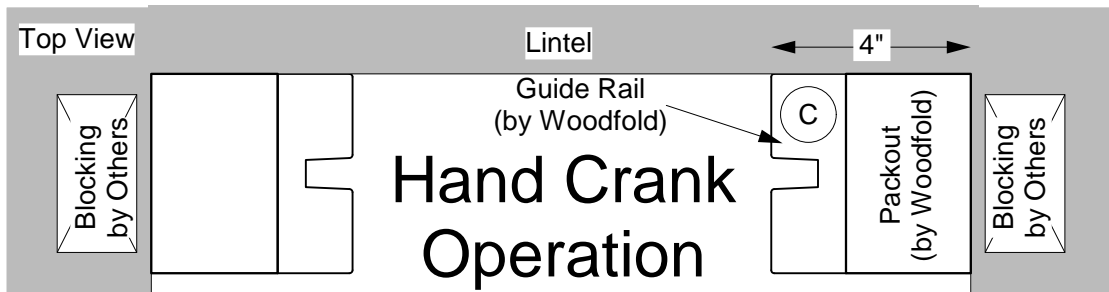
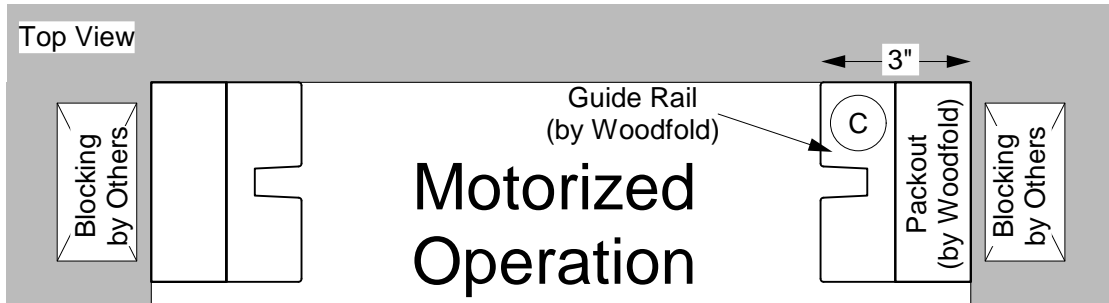
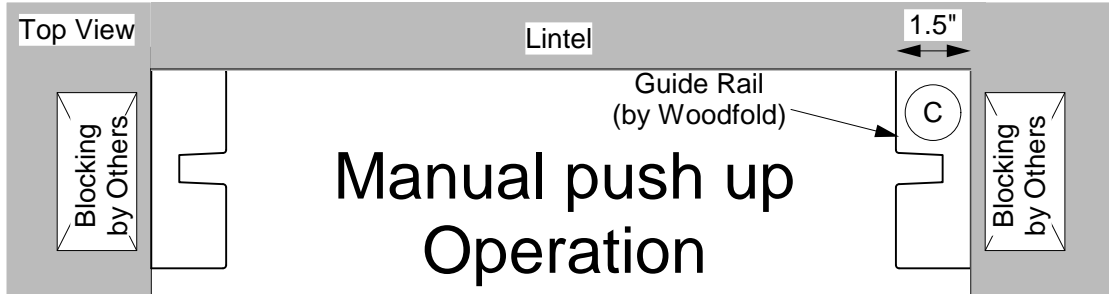
Shown without Hood option  
Shown with Thumb Turn option

# End Plate size details

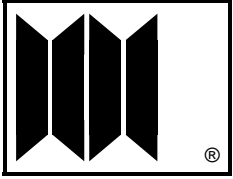




# Between Wall on Face of Lintel







# Between Wall on Face of Lintel

